



DEKO

DEKO 190GT | Ward washer-disinfector

rhima



The DEKO 190 is designed and constructed to meet the standard performance and design requirements stated in ISO EN 15883-1 Washer-disinfectors - Part 1 and Part 3: Requirements and tests for washer-disinfectors employing thermal disinfection for human waste containers.

UNIQUE WASHING EFFICACY

Thanks to the unique, patented fresh water recirculation principle of the DEKO 190, the machine has a minimal need for energy and water in relation to the capacity and efficacy of the adjustable process cycles. Also the thermal disinfection of outlet, water tank and pipework in every cycle is of great importance and only available in the DEKO 190.

DEKO 190 is intended for emptying, flushing, cleaning and thermal disinfection of reusable waste containers such as;

- supports for single-use bedpans
- hospital wash bowls
- urine bottles
- mop buckets
- suction bottles
- measuring jugs
- and all other reusable products used for similar purposes within patient care

POWERFUL PROCESS

Process results are guaranteed throughout:

- water pressure for washing is supplied by a high powered 600L/min recirculation pump
- detergent is automatically dosed into the recirculated water by a pump
- the unique working principle facilitates cleaning and steam disinfection of the entire system including wash chamber, water tank and outlet with minimal water and energy usage
- disinfecting steam is generated by an integrated unpressurised boiler and run through the water tank, outlet and internal pipework
- wide selection of disinfection temperatures and cycle setups to secure the microbial inactivation impact

Cycles can be altered to meet almost any special requirement, though the standard requirements are met with the fixed, tested and approved cycles pre-programmed by the manufacturer. The access code system protects any unauthorized changes to the set parameters. The washing spray patterns are delivered through 3 rotating + 7 fixed spray jets guaranteeing contact with all surfaces and crevices of items with varying design.

VERSATILE



DEKO 190 has a large wash chamber and capacity for automatic emptying and processing of 2 bedpans with lids and 4 urine bottles simultaneously. The integrated drop down shelf provides space for 4 hand wash basins or a mop bucket. The shelf can also be utilised as a base to accommodate inserts and washing accessories to process e.g.

- disposable bedpan supports
- kidney dishes
- bowls
- raised toilet seats
- vases
- toilet brushes/holders
- various hollowware

Using optional holders and baskets enables the correct positioning and easy loading of various items, such as suction jars and medicine pots, and extends the capacity and versatility of the DEKO 190.



MAIN FEATURES

- 3 rotating + 7 fixed wash jets
- automatic detergent dosage
- indication for insufficient volume of detergent to complete cycle
- integrated detergent container housing
- load temperature protection and over temperature cut-outs
- automatic foam and washing water pressure control system
- opaque cold and hot water connection hoses ½" BSP
- drain outlet diameter 90–100 mm
- sound and heat insulated
- vapour condenser
- height adjustable feet ±10 mm
- overall dim. W600xD630xH1460 ±10 mm
- usable wash chamber dim. W480xD360xH640 mm
- powerful circulation water pump, output 600 L/min
- cycle phase indication
- display indicates cycle completion
- fault indication and coded information
- access to regulation of critical process parameter values with authorized person entry code only
- component test mode for preventive maintenance

OPTIONS

- descale dosage pump
- lockable door for chemical container
- audible cycle end indicator
- back syphon Type A air gap protection (when required)



RELIABLE QUALITY

The DEKO 190 is manufactured of quality polished stainless EN 1.4301 steel, it is easy to keep clean and can withstand continuous use. Special attention has been paid to sound and heat insulation by using the most efficient and environmentally friendly materials.

Durability and reliability in continuous, heavy and busy institutional operating circumstances have been the key factors in the design of the DEKO 190.

TRUSTED VALUE

User and Maintenance Manuals include all relevant details and instructions. Any information, advice, personnel training and service calls are attended to with the utmost dedication and urgency. Availability of spares is guaranteed for the minimum of 10 years after date of shipment.



The DEKO 190 is controlled through a Programmable Logic Controller (PLC) that is the most advanced operating system available today. The high resolution user interface and information display panel means that the machine is simple to use.

The display provides clear and informative user and service instructions. To operate the DEKO 190 simply select the appropriate pre-programmed cycle and press the button - the PLC takes care of the rest. The selected cycle, batch number, current cycle phase, chamber temperature, washing pressure and cycle time are all verified and presented on the easy to read display.



PLC AND TOUCH-SCREEN



Security is provided by a three-tier password system that allows user, edit and service level access. The precise, electronic control of the DEKO 190 saves time, energy and consumables. The PLC's process control and independent recording accuracy are compliant with the most stringent requirements of ISO EN 15883-1 & 3 for washer disinfectors.



The intelligent software provides you with advice on service actions. The maintenance and service file system restores valuable information for technical performance follow-up and evaluation.



Accessories



242.1002.120
Shoe rack - 4 pairs (381 450)



242.1002.126
Suction bottle rack (381 690)
as per given bottle dimensions



242.1002.112
Peg rack - 12 places (381 515)



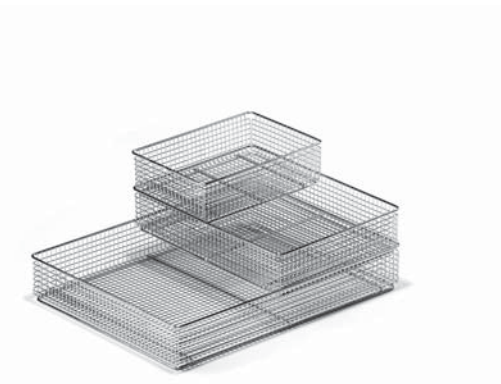
242.1001.076
Kidney dish rack - 6 places (381 685)

Accessories



242.1002.059

Utensil basket with a lid
340 x 250 x 200 mm (381 170)



242.1001.090

Instrument tray
450x340x70 mm (381 200)

242.1001.095

Lid 450 x 340 mm (381 201)

242.1001.089

Instrument tray
340 x 250 x 70 mm (381 210)

242.1001.096

Lid 340 x 250 mm (381 211)

242.1001.088

Instrument tray
250 x 170 x 70 mm (381 220)

242.1001.097

Lid 250 x 170 mm (381 221)



242.1002.123

Insert for Oras shower handles
and hoses (381 683)

• 4 handles and hoses



242.1002.121

Urine bottle insert - 4 places (381 680)

TECHNICAL DATA

Outer dimensions

Width	600 mm
Depth	630 mm
Height (* H150 mm legs)	1460/*1610 mm
Weight	130 kg
Gross wash chamber volume	72 L

Inner dimensions

Chamber height	640 mm
Chamber width	480 mm
Chamber depth	360 mm
Water volume / one cycle phase, excl.disinf.	9 L

Electricity

240/400V 3N 50Hz 7.5kW 16A or,
240/400V 3N 50Hz 6.6kW 10A or,
120/208V 3N 60Hz 6.6kW 19A
Further details at request.

Capacity & effects

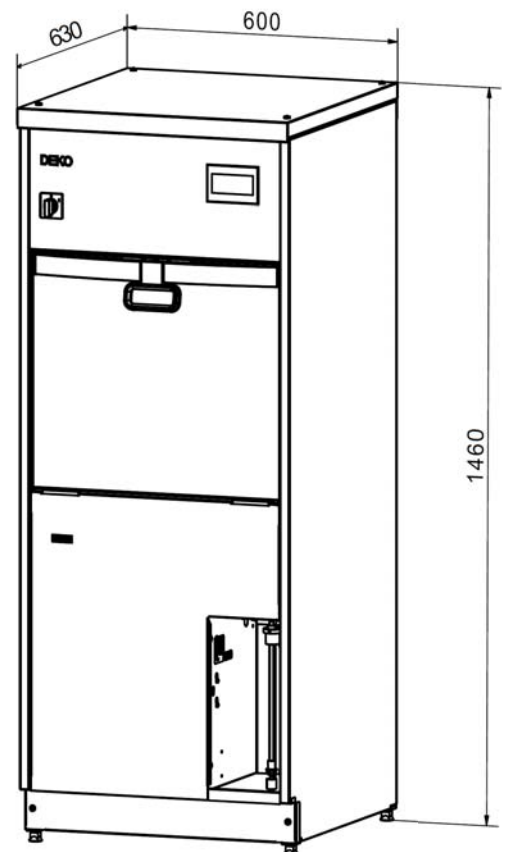
Heating power	6.6 or 7.5 kW
Circulation pump 600L/min	1.5 kW
Outlet size diameter in	90/110 mm
Cold water hose L=2 m	G1/2"
Hot water hose L=2 m	G1/2"
Min/Max water pressure	1/8 bar

Included as standard

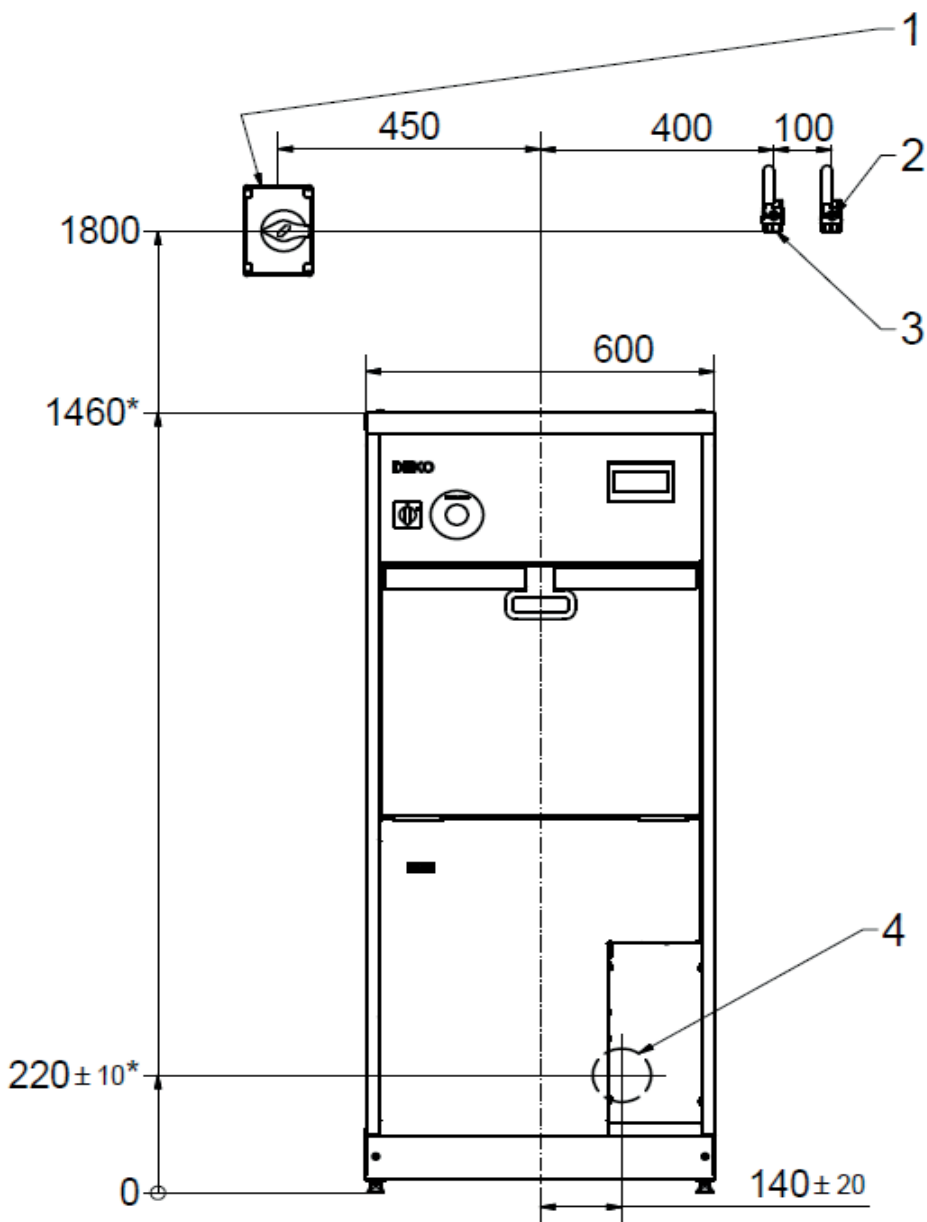
- holder for 2 bedpans
- 4 urine bottle nozzles
- fold down wash shelf
- detergent pump
- detergent container housing

Certificates / tests / approvals

- ISO 14001
- ISO 13485
- ISO EN 15883-1, 15883-3
- IEC 61010-1
- IEC 61010-2-040
- IEC 61326-1
- CE 0537



Subject to changes without further notice. Please ask the supplier for confirmation as required.



- 1. Safety switch (el.)
- 2. Cold water
- 3. Warm water
- 4. Drain (if wall mounted)
- 5. Drain (if floor mounted)



DEKO

Rhima Australia Pty Ltd

ABN 63 007 242 604

72-74 Woodlands Drive Braeside 3195

PO Box 605 Braeside Vic 3195

Tel: 1300 347 944 or 03 8586 5444

Fax: 03 8586 5454

www.rhima.com.au