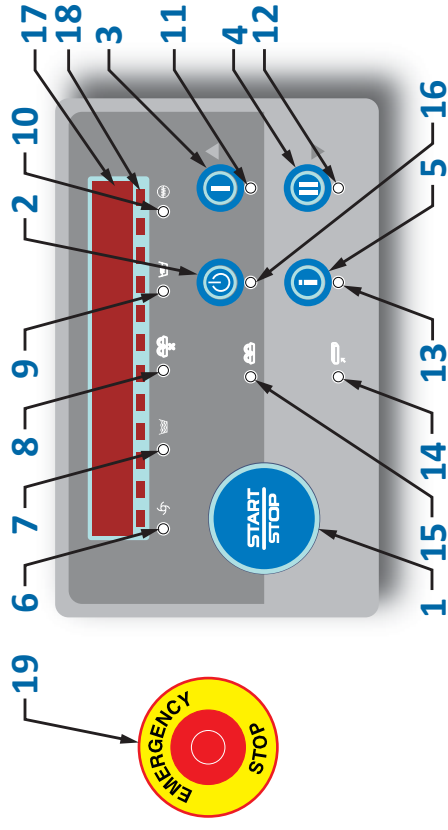


Before using the VX-301, check the following:

- Is the power supply to the machine switched on?
- Is the overflow pipe and filters in place?
- Is there sufficient detergent and rinse aid?
- Is the water supply valve open?



- (1) Start/Stop button
- (2) ON/OFF
- (3) Speed selector (Minimum)
- (4) Speed selector (Maximum)
- (5) INFO key (Boiler/Tank/Pre wash/Date/Hours/Factory code/Firmware)
- (6) Flashing Green: Machine ON indicator
- (7) Green: Tanks filled indicator
- (8) Yellow: Basket limit switch
- (9) Yellow: Tank heating
- (10) Yellow: Boiler heating
- (11) Flashing Yellow: Intermittent boiler heating
- (12) Green: Lower Speed selection
- (13) Green: Higher Speed selection
- (14) Green: INFO menu
- (15) Yellow: Opened drawer
- (16) Green: Clear inlet for basket (Models with prewash only)
- (17) Green: Machine ON
- (18) Display with scrolling text
- (19) Emergency stop button

Starting the machine

1. Check that the overflow pipe is properly inserted in the drain and that the scrap screen filter and scrap screens are in their positions. Also check that the washing/rinsing arms and curtains are properly installed.
***Please note that the long-narrow curtains are to be at the entry and exit and the wide-short ones go inside the machine.**

Close the doors and open the water supply valve. Turn on the wall-mounted main switch. Turn on the machine by pressing switch (2), this will start the tank filling process. Once filled, the indicator (7) turns Green. The water inside the rinsing boiler and the wash tank will start to heat indicated by (9) & (10) being Yellow. The display (17) will show HEATING with the alternate temperatures.

Once the heating has finished the display (17) will show READY TO START. Once the machine is not equipped with a detergent dispensing unit, put the detergent into the wash tank by hand. In order to determine the exact amount of detergent, remember that the tank's capacity is about 100 litres.

Carefully follow the product manufacturer's instructions while bearing in mind the local water hardness characteristics. Add detergent every 10-12 minutes of continuous operation so as to maintain the correct dosage.

If the machine is provided with a detergent and rinse aid dispensing unit, do not alter the adjustments made by the installation technician at the time the system was put into operation.

End of washing

7. Press START/STOP (1) and then the ON/OFF button (2). Close the water supply valve. Turn off the wall-mounted main switch & open the doors.

8. Drain the wash tank and clean the filters at least twice a day. Lift the scrap screen filter (B) and empty its contents. Remove the scrap screens (C) while being careful not to allow food residue to drop inside the wash tank. Lift the overflow pipe (A) into the open position and let the tank empty.

9. Wash the scrap screen filter and scrap screens with a stiff brush under running water. Remove the pump suction filter (D) and also wash it under running water. Then thoroughly wash the bottom of the tank with a jet of water.

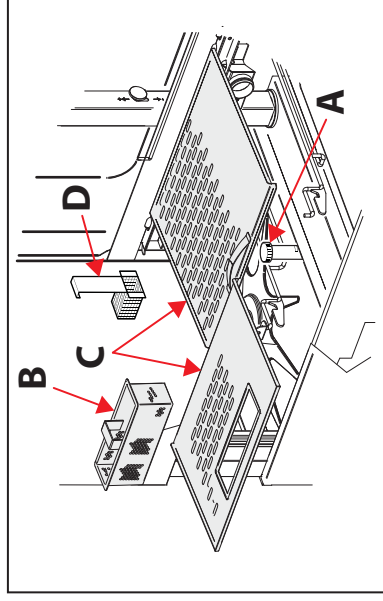


Fig. 2

10. Return the overflow pipe to the closed position and also the pump suction filter, scrap screen filter, scrap screens & curtains back to their positions.

***It is advisable to leave the doors open at the end of the day to prevent unpleasant odours from forming.**

Washing

3. The display (17) will show READY TO START. Set the desired speed using (3) & (4).

Press START/STOP (1) to start the conveyor movement.

4. Thoroughly remove any residuals from the crates so as to not clog filters, nozzles and filters, nozzles & pipes.

Load the crates upside down as shown in (Fig.1).

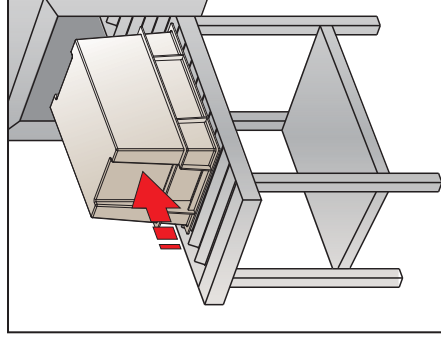


Fig. 1

5. Start washing by pushing the crates until they become coupled with the towing system. If a crate arrives at the end of the stroke position, its advancement stops and can be re-started by re-moving the crate.
***Do not remove the crate from the machine before it has come out of the tunnel. Do not put hands/arms inside the machine during operation, always stop the machine before putting your hands/arms inside.**

To stop the washing phase, press the STOP button (1) and to re-start, press START (1).

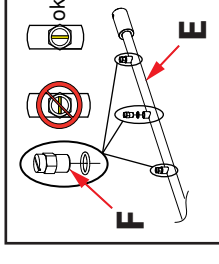
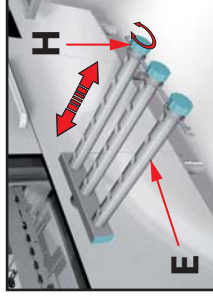
WARNING: In case a dangerous situation occurs push the emergency button (19).

Routine Maintenance

10. Perfect machine operation depends on careful cleaning which must be carried out at least once a day.

Turn off the switch (2) and the wall-mounted main switch. Drain the tank by lifting the overflow pipe (A) into the open position.

Remove the scrap screen filter (B), pump suction filter (D) and scrap screens (C). Clean them with a brush underneath a strong jet of water.



Fig(s). 3

11. Remove the washing/rinsing arms (E) and then the nozzles (F) and arm plugs (H). Carefully clean them underneath running water (Fig.3).

Reassemble all of the parts and replace the arms back in their positions.

Thoroughly wash the entry, exit and internal curtains.
 12. Clean solid filters weekly (I & J). Open the filter by unscrewing it in an anticlockwise direction (Fig.4).

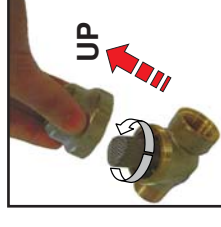


Fig. 4

13. The exterior of the machine is to be cleaned when its surfaces are cold with non-foaming, non-acid, non-abrasive and above all non-chlorine based products.